

- 1
- 2
- 3
- 4
- 5
- 6
- 7
- 8
- 9
- 10
- 11
- 12
- 13
- 14
- 15
- 16
- 17
- 18
- 19

**VERSIONS**

- Version **N**: without anti-twist protection
- Version **V**: with anti-twist protection
- Version **S**: reinforced

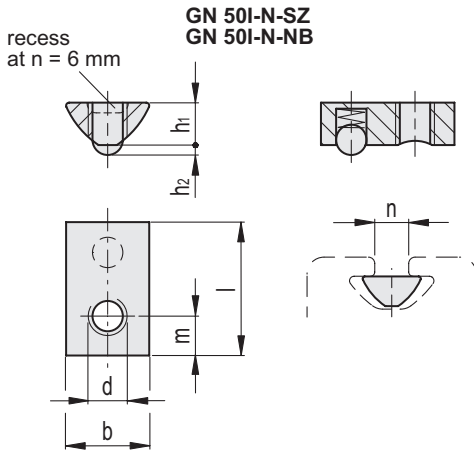
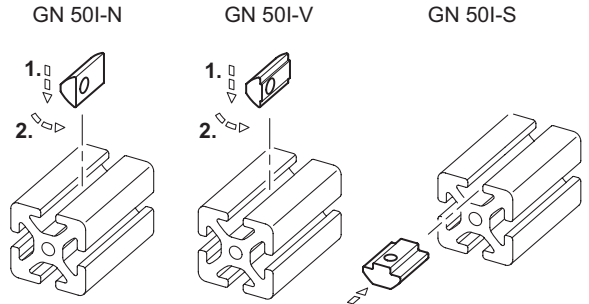
Zinc-plated steel, blue passivated **SZ**  
 Stainless steel, plain finish **NB**

**FEATURES AND APPLICATIONS**

T-nuts GN 50I fasten attachments and accessories in the slot of aluminum profiles.

The spring-loaded ball secures the T-nut against unwanted slipping within the slot, making installation easier.

T-nuts of types N and V can be swiveled into the slot at any position.



**Conversion Table**  
 1 mm = 0.039 inch

b	
mm	inch
8	0.31
11	0.43
14	0.55
18	0.70

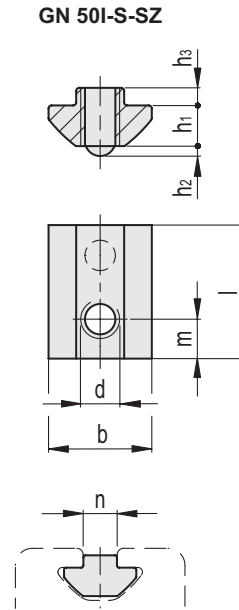
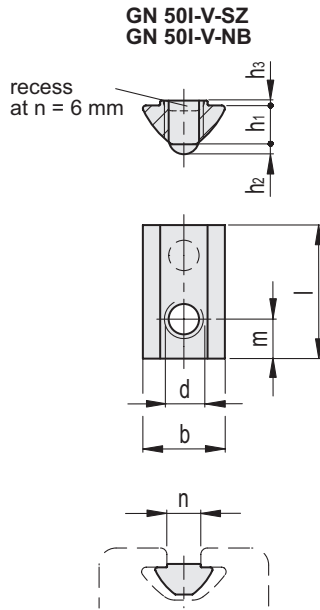
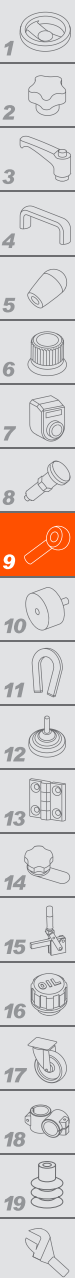
**GN 50I-N-SZ**

Code	Description	b	n	d	h1	h2	m	Length	
GN.72801	GN 50I-5M3-N-SZ	8	5	M3	4	0.8	4	11.5	4
GN.72807	GN 50I-5M4-N-SZ	8	5	M4	4	0.8	4	11.5	3
GN.72813	GN 50I-5M5-N-SZ	8	5	M5	4	0.8	4	11.5	2
GN.72817	GN 50I-6M3-N-SZ	11	6	M3	6	0.9	5	17	6
GN.72821	GN 50I-6M4-N-SZ	11	6	M4	6	0.9	5	17	5
GN.72825	GN 50I-6M5-N-SZ	11	6	M5	6	0.9	5	17	5
GN.72831	GN 50I-6M6-N-SZ	11	6	M6	6	0.9	5	17	4
GN.72841	GN 50I-8M4-N-SZ	14	8	M4	7	1.6	7	23	11
GN.72849	GN 50I-8M5-N-SZ	14	8	M5	7	1.6	7	23	10
GN.72857	GN 50I-8M6-N-SZ	14	8	M6	7	1.6	7	23	9
GN.72865	GN 50I-8M8-N-SZ	14	8	M8	7	1.6	7	23	8

**GN 50I-N-NB**

Code	Description	b	n	d	h1	h2	m	Length	
GN.72805	GN 50I-5M4-N-NB	8	5	M4	4	0.8	4	11.5	3
GN.72811	GN 50I-5M5-N-NB	8	5	M5	4	0.8	4	11.5	2
GN.72839	GN 50I-8M4-N-NB	14	8	M4	7	1.6	5	17	11
GN.72847	GN 50I-8M5-N-NB	14	8	M5	7	1.6	5	17	10
GN.72855	GN 50I-8M6-N-NB	14	8	M6	7	1.6	5	17	9
GN.72863	GN 50I-8M8-N-NB	14	8	M8	7	1.6	5	17	8

Standard machine parts



Conversion Table	
1 mm = 0.039 inch	
b	
mm	inch
8	0.31
11	0.43
14	0.55
18	0.70

**GN 50I-V-SZ** **METRIC**

Code	Description	b	n	d	h1	h2	h3	m	Length	
GN.72803	GN 50I-5M3-V-SZ	8	5	M3	4	0.8	0.7	4	11.5	3
GN.72809	GN 50I-5M4-V-SZ	8	5	M4	4	0.8	0.7	4	11.5	1
GN.72815	GN 50I-5M5-V-SZ	8	5	M5	4	0.8	0.7	4	11.5	6
GN.72819	GN 50I-6M3-V-SZ	11	6	M3	6	0.9	0.5	5	17	5
GN.72823	GN 50I-6M4-V-SZ	11	6	M4	6	0.9	0.5	5	17	4
GN.72829	GN 50I-6M5-V-SZ	11	6	M5	6	0.9	0.5	5	17	4
GN.72835	GN 50I-6M6-V-SZ	11	6	M6	6	0.9	0.5	5	17	3
GN.72837	GN 50I-8M3-V-SZ	14	8	M3	7	1.6	0.8	7	23	15
GN.72845	GN 50I-8M4-V-SZ	14	8	M4	7	1.6	0.8	7	23	14
GN.72853	GN 50I-8M5-V-SZ	14	8	M5	7	1.6	0.8	7	23	13
GN.72861	GN 50I-8M6-V-SZ	14	8	M6	7	1.6	0.8	7	23	12
GN.72869	GN 50I-8M8-V-SZ	14	8	M8	7	1.6	0.8	7	23	10

**GN 50I-S-SZ** **METRIC**

Code	Description	b	n	d	h1	h2	h3	m	Length	
GN.72843	GN 50I-8M4-S-SZ	18	8	M4	7	1.6	2.8	7	23	8
GN.72851	GN 50I-8M5-S-SZ	18	8	M5	7	1.6	2.8	7	23	7
GN.72859	GN 50I-8M6-S-SZ	18	8	M6	7	1.6	2.8	7	23	6
GN.72867	GN 50I-8M8-S-SZ	18	8	M8	7	1.6	2.8	7	23	4

**GN 50I-V-NB** **INOX STAINLESS STEEL** **METRIC**

Code	Description	b	n	d	h1	h2	h3	m	Length	
GN.72827	GN 50I-6M5-V-NB	11	6	M5	6	0.9	0.5	7	23	4
GN.72833	GN 50I-6M6-V-NB	11	6	M6	6	0.9	0.5	7	23	3